
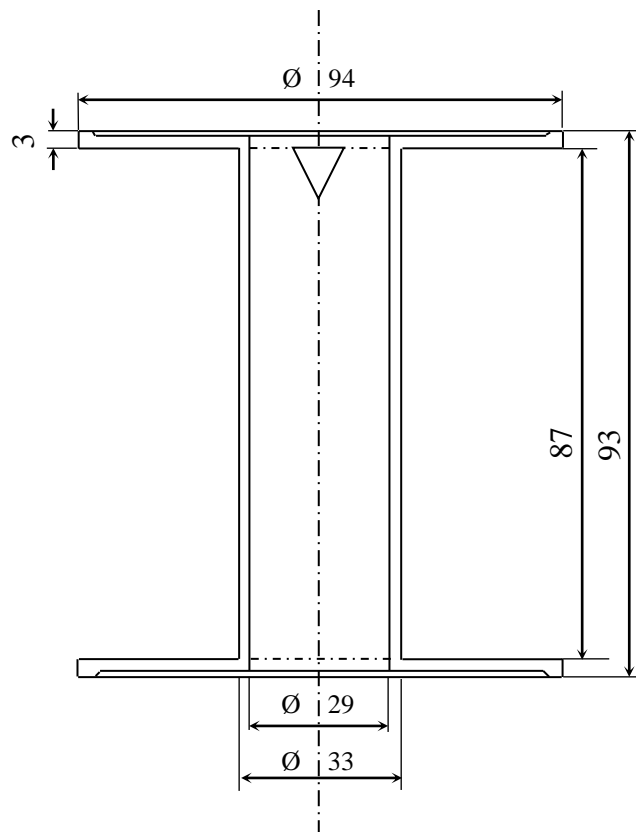


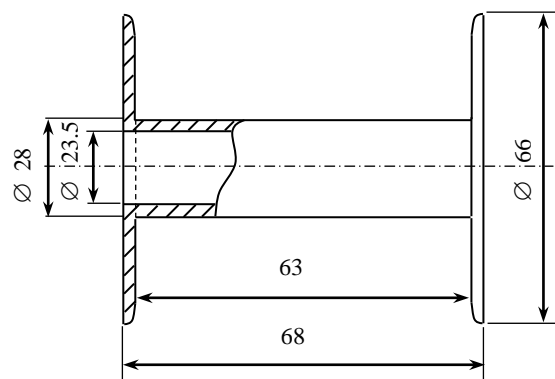
Updated : 12/07/2016	TECHNICAL DATA SHEET	
Ref. : Reels	<u>PHYSICAL CHARACTERISTIC OF SPOOLS</u>	
Created Date: 14/09/04		




1 - STANDARD SPOOL 3Kg :

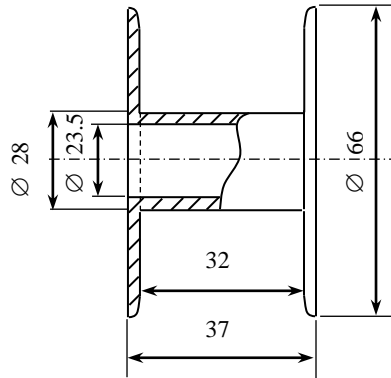


2 - STANDARD SPOOL 1Kg :

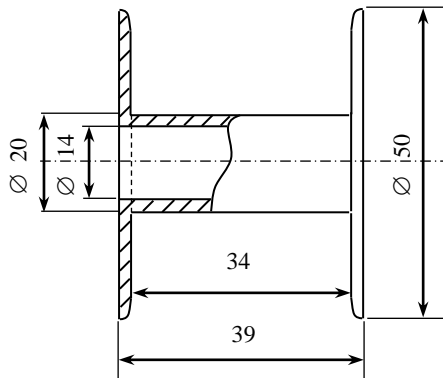


Updated : 12/07/2016	TECHNICAL DATA SHEET	
Ref. : Reels	<u>PHYSICAL CHARACTERISTIC OF SPOOLS</u>	
Created Date: 14/09/04		

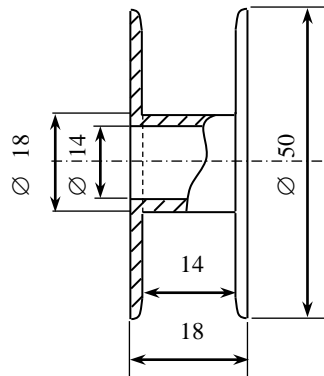
3 - STANDARD SPOOL 500g :




4 - STANDARD SPOOL 250g :

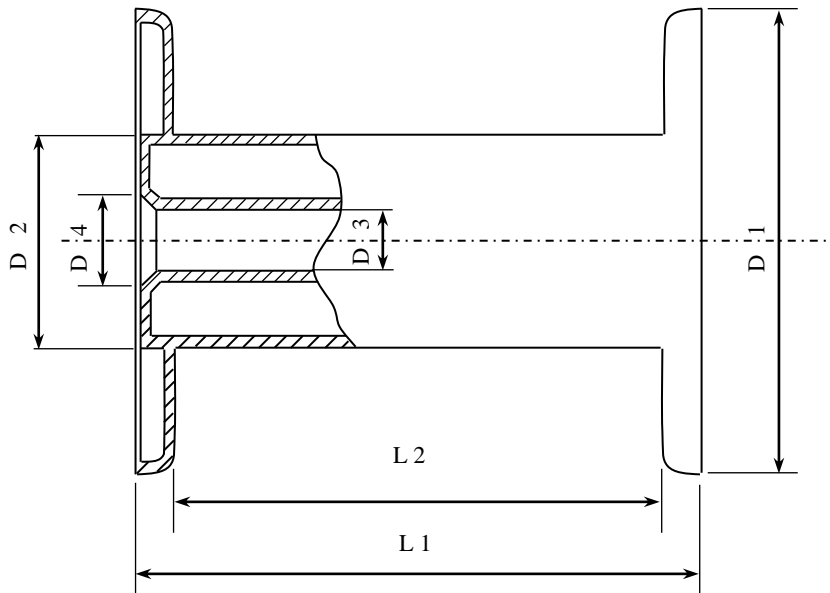


5 - STANDARD SPOOL 100g :




Updated : 12/07/2016	TECHNICAL DATA SHEET	
Ref. : Reels	<u>PHYSICAL CHARACTERISTIC</u> <u>OF SPOOLS</u>	
Created Date: 14/09/04		

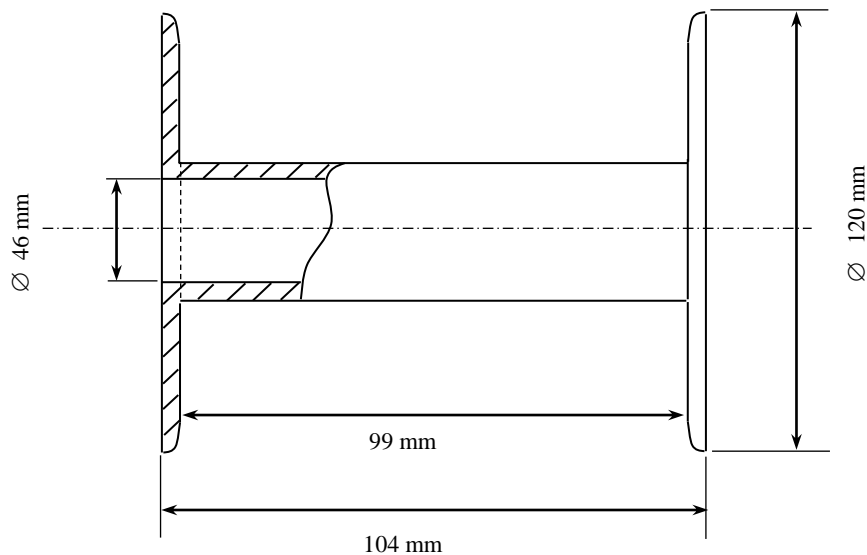
6 - DIN SPOOLS :



SPOOL.	TYPE	D1 mm	D2 mm	D3 mm	D4 mm	L1 mm	L2 mm
100 g	26/2	39	21	9	N/A	44	38
250 g	50	50	32	11	15	50	38
500 g	63	63	40	11	15	63	49
1 Kg	80	80	50	16	24	80	64
2 Kg	100	100	63	16	24	100	80
5 Kg	125	125	80	16	24	125	100
20 Kg	300	300	180	51.5	N/A	103	85

Updated : 12/07/2016	TECHNICAL DATA SHEET	
Ref. : Reels	<u>PHYSICAL CHARACTERISTIC</u> <u>OF SPOOLS</u>	
Created Date: 14/09/04		

7 - STANDARD 5Kg SPOOL :



We cannot anticipate any and all conditions and situations under which the information and our products or the combination of both with others will be used. We do not assume any liability in the safety and suitability of our products alone or in combination with others. Users must make their own tests to determine the safety and suitability of each product used alone or with other products for their own use. Except any previous written agreement, our products are sold without guarantee and customers must assume all liability for any loss or damage suffered by themselves or by third parties, either from handling or use of our products alone or with others. In case of any difference or variation seen during the use of the products we request that you contact our technical department.