

Updated : 25/07/2018

Technical Data Sheet

Ref. : Alloys

PHYSICAL CHARACTERISTICS

Created: 12/05/06

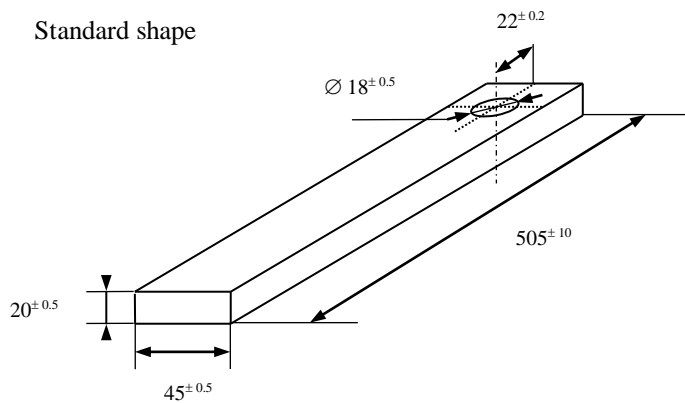
INGOTS – BARS - STICKS



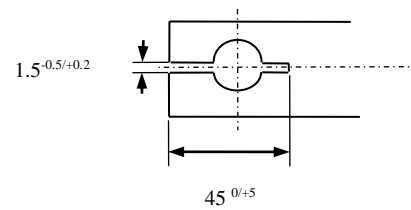
1 - PHYSICAL CHARACTERISTICS :

1.1. INGOTS with circular hole:

Standard shape

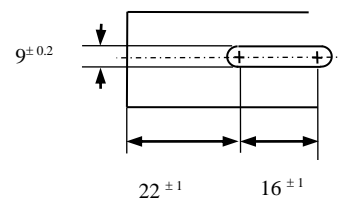
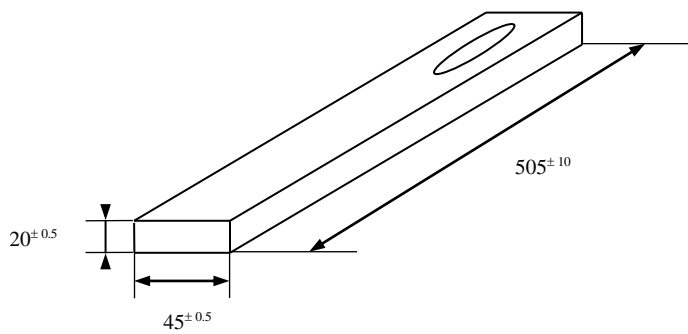



With slot



1.2. INGOTS with oblong hole:

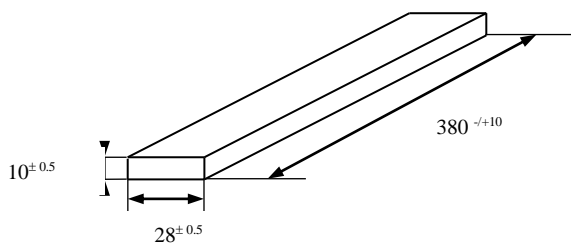
Standard shape



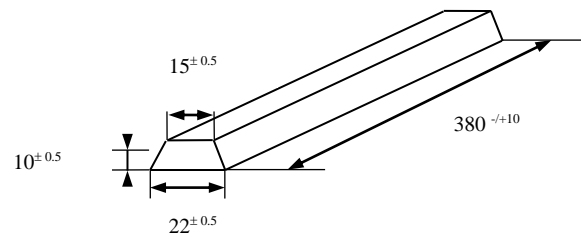
Updated : 25/07/2018	Technical Data Sheet	
Ref. : Alloys	<u>PHYSICAL CHARACTERISTICS</u>	
Created: 12/05/06	<u>INGOTS – BARS - STICKS</u>	

1.3. BARS

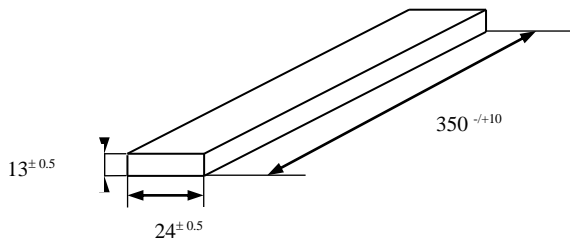
NITRALLOY CLEANALLOY SHAPE



EXTRALLOY SHAPE

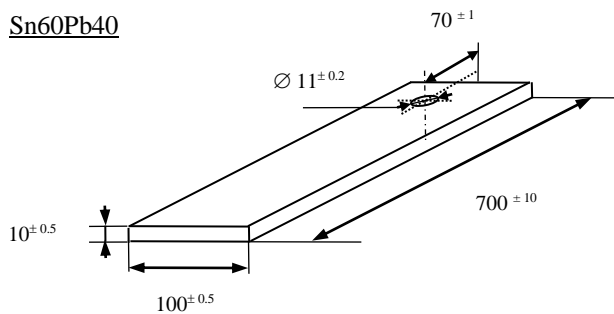


OTHER SHAPE

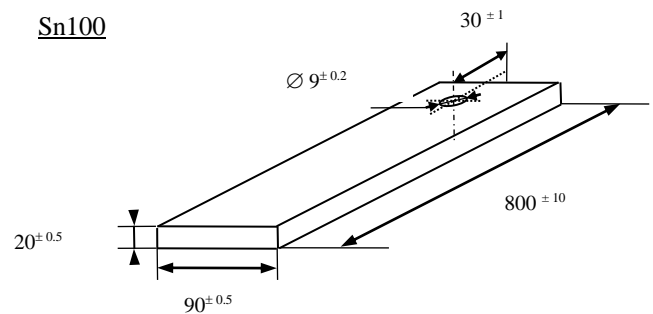



1.4. ANODES:

Sn60Pb40

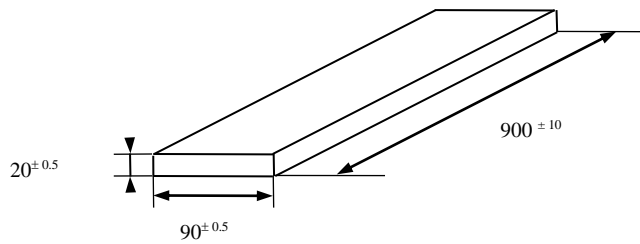


Sn100



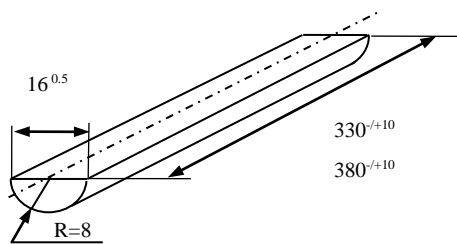
Updated : 25/07/2018	Technical Data Sheet	
Ref. : Alloys	<u>PHYSICAL CHARACTERISTICS</u>	
Created: 12/05/06	<u>INGOTS – BARS - STICKS</u>	

Sn63Pb37

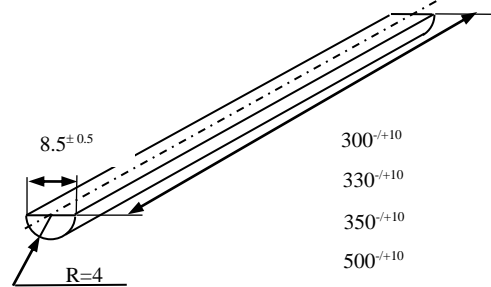


1.5. HALF ROUND STICKS:

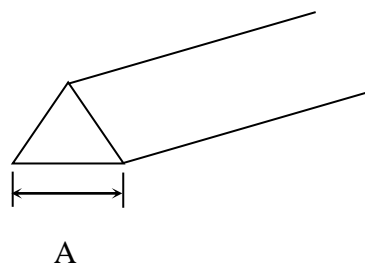
16X 8 STICKS




8 X 4 STICKS/_ ONLY IN LEADED ALLOYS



1.6. TRIANGLE CROSS STICKS:



Length 400mm \Rightarrow triangle $A=8$ mm or $A = 12$ mm (lead free)

Updated : 25/07/2018	Technical Data Sheet	
Ref. : Alloys	<u>PHYSICAL CHARACTERISTICS</u>	
Created: 12/05/06	<u>INGOTS – BARS - STICKS</u>	

2 - PACKAGING :

2.1 INGOTS: in 23 / 25 Kg * boxes

2.2 BARS: in 20 Kg * boxes

2.3 STICKS: in 25 Kg * boxes

2.4 ANODES: on palettes.

* based on Sn63Pb37 alloy.

General product tolerances +/- 10 mm

We cannot anticipate any and all conditions and situations under which the information and our products or the combination of both with others will be used. We do not assume any liability in the safety and suitability of our products alone or in combination with others. Users must make their own tests to determine the safety and suitability of each product used alone or with other products for their own use. Except any previous written agreement, our products are sold without guarantee and customers must assume all liability for any loss or damage suffered by themselves or by third parties, either from handling or use of our products alone or with others. In case of any difference or variation seen during the use of the products we request that you contact our technical department.